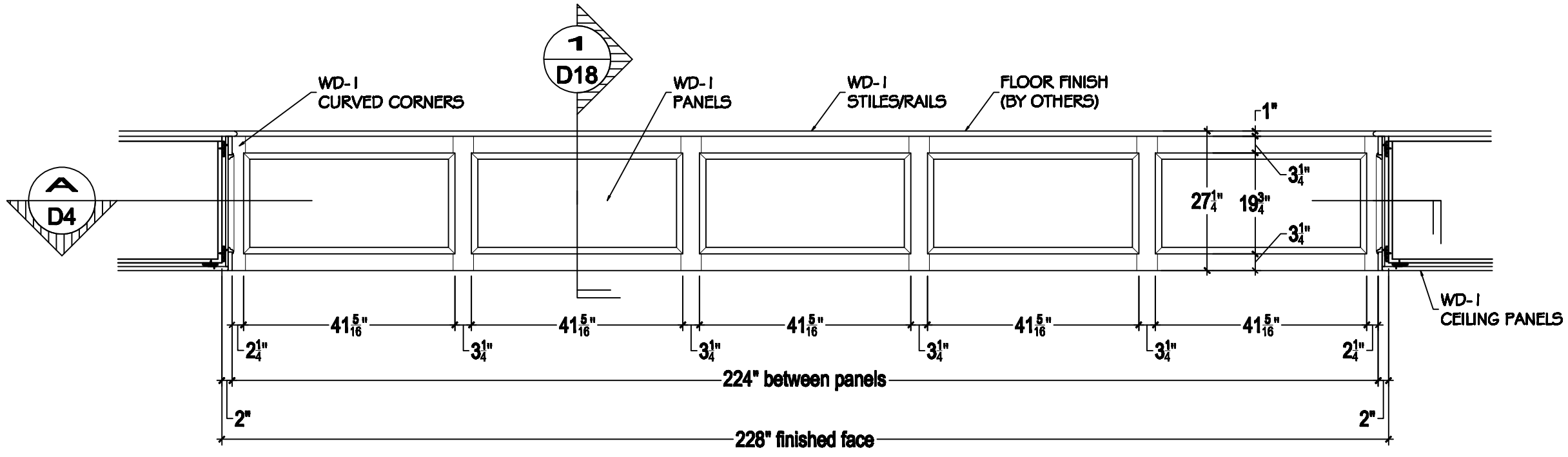
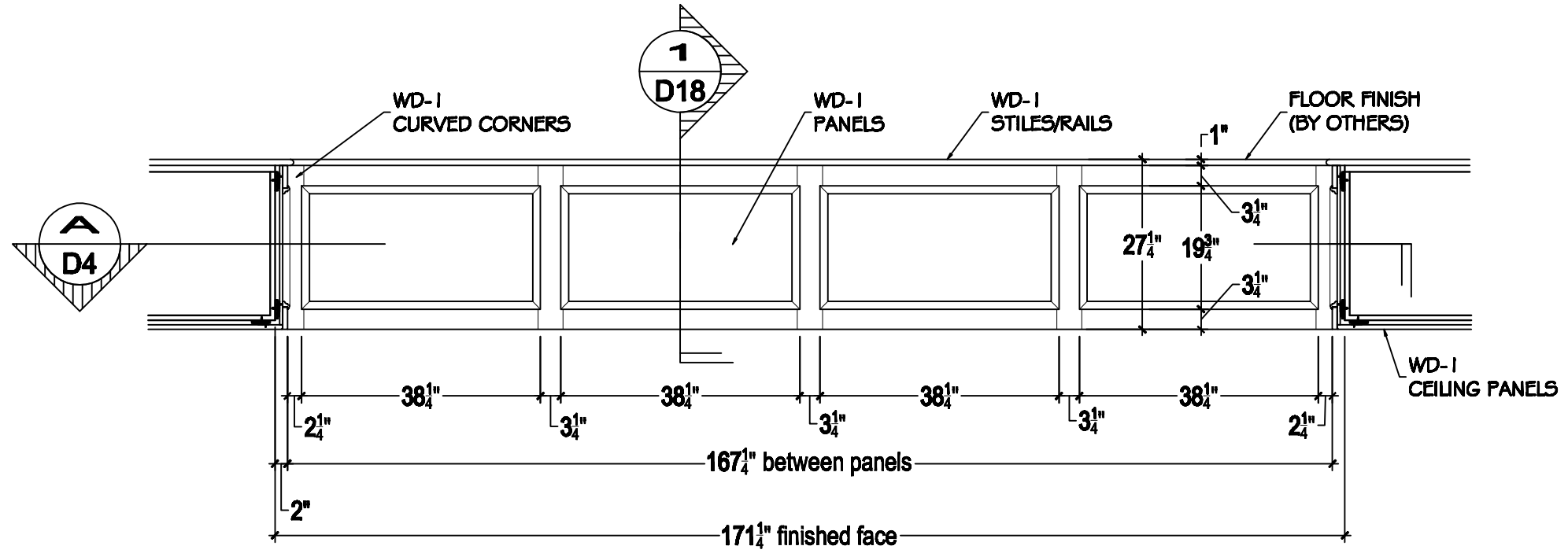


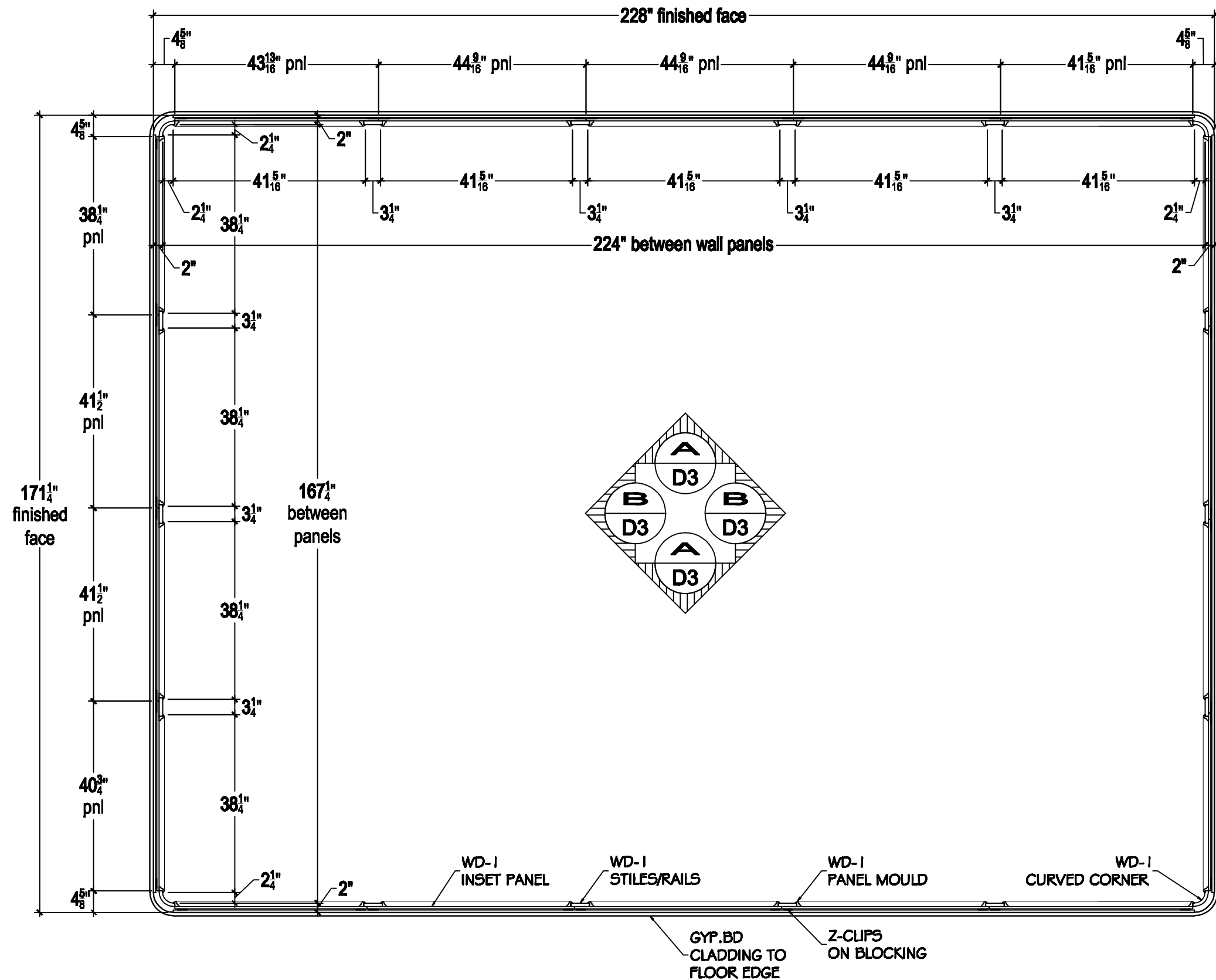

RCP - LOWER RITZ ROOM
 REF: A-2 SCALE: 1/4"=12"



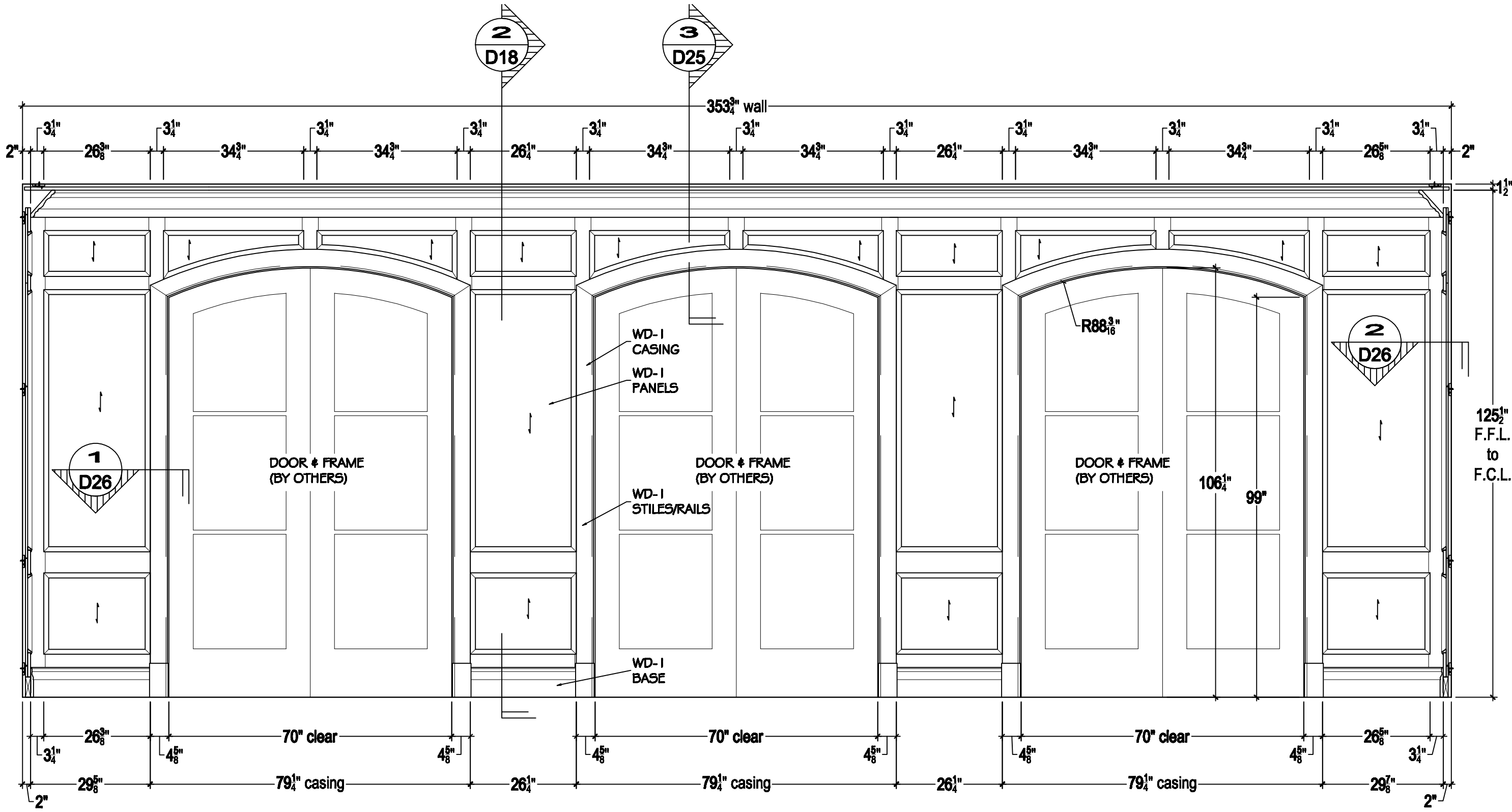
A
D3 ELEVATION - LOWER RITZ ROOM CEILING PANELS
REF: NONE SCALE: 1/2"=12"



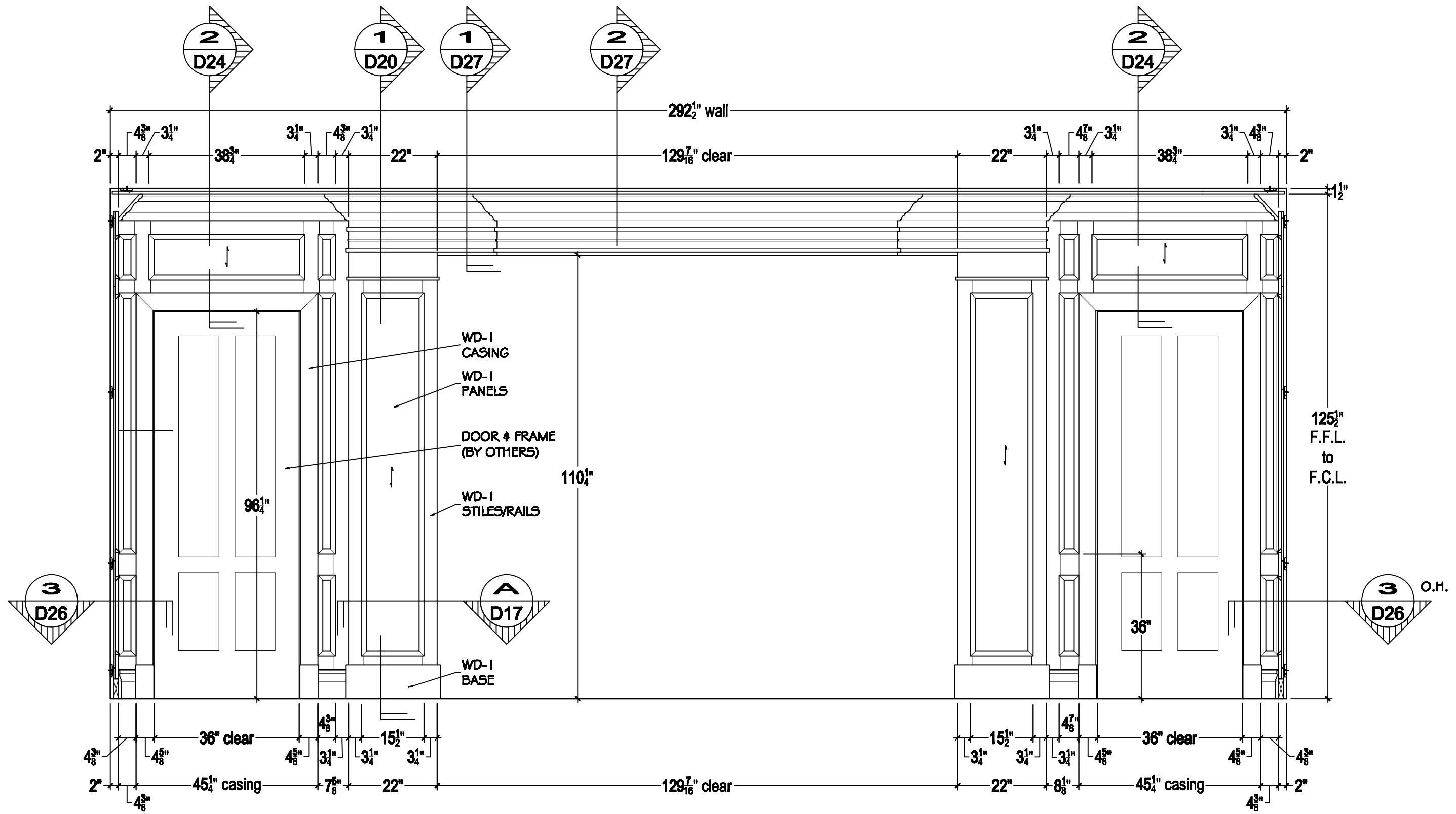
B
D3 ELEVATION - LOWER RITZ ROOM CEILING PANELS
REF: NONE SCALE: 1/2"=12"



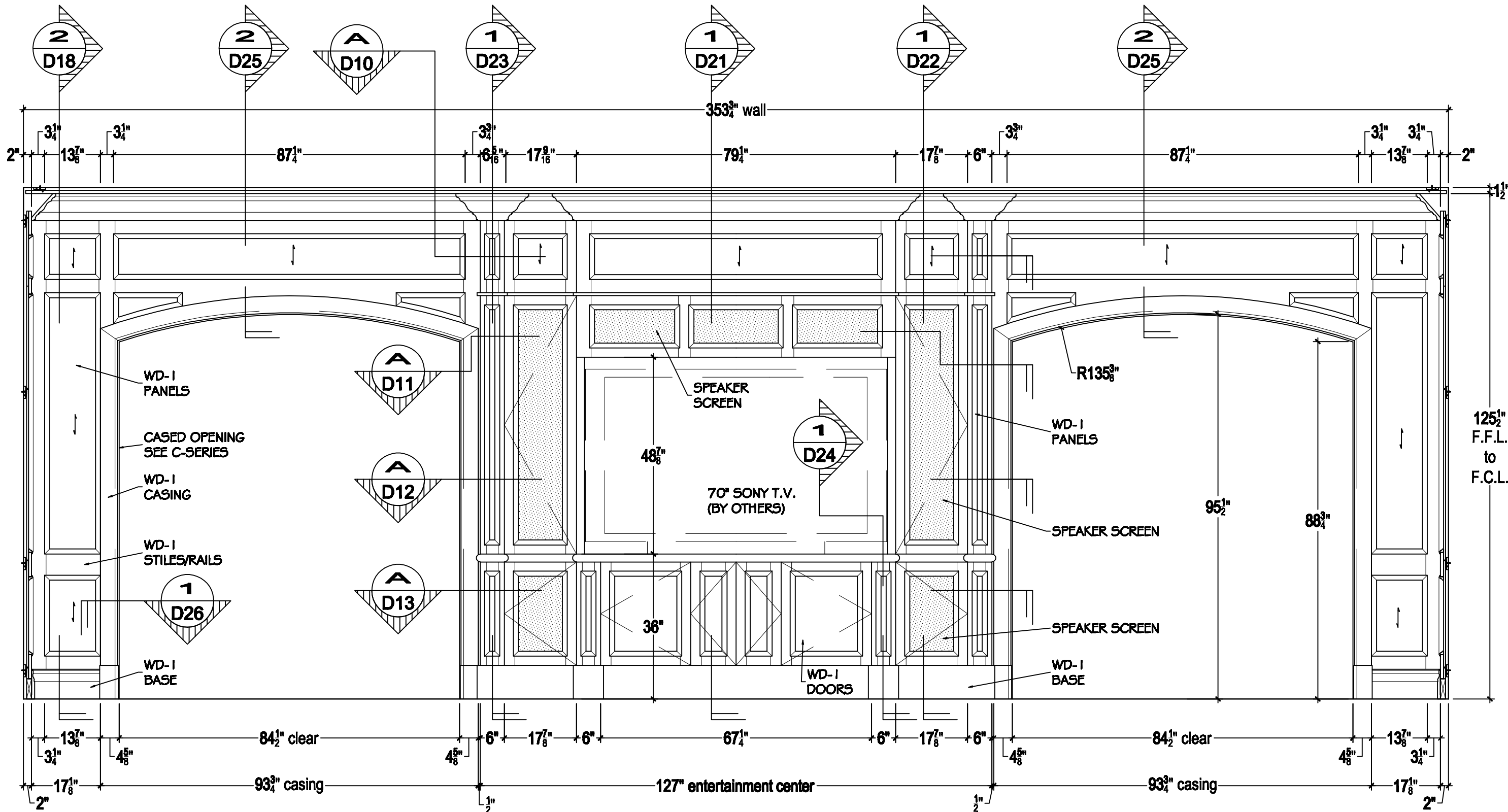
A
D4
PLAN SECTION - LOWER RITZ ROOM CEILING
 REF: NONE SCALE: 1/2"=12"



A ELEVATION - LOWER RITZ ROOM
D5 REF: NONE SCALE: 1/2"=12"

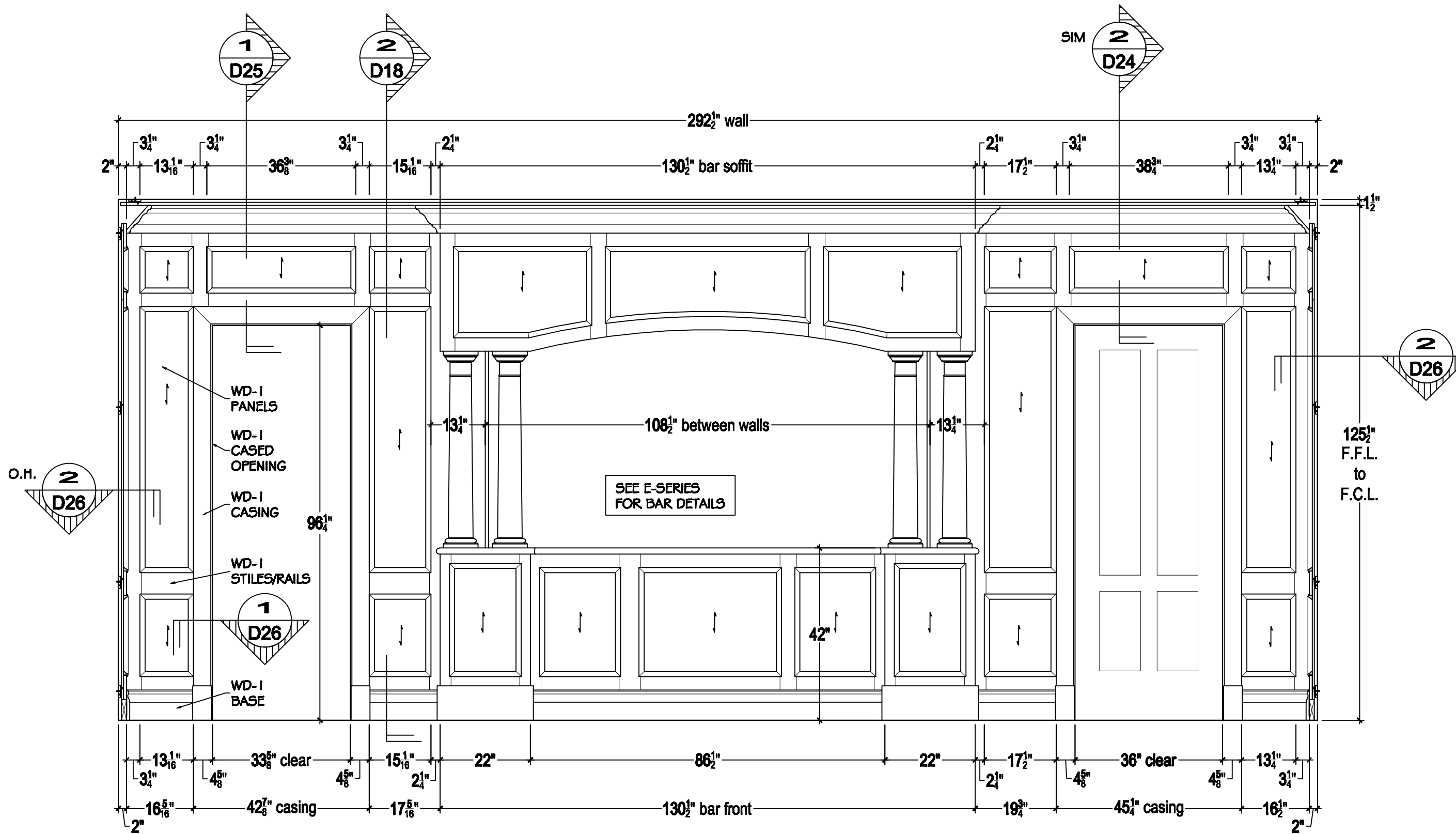


A ELEVATION - LOWER RITZ ROOM
D6 REF: NONE SCALE: $1/2"=12"$

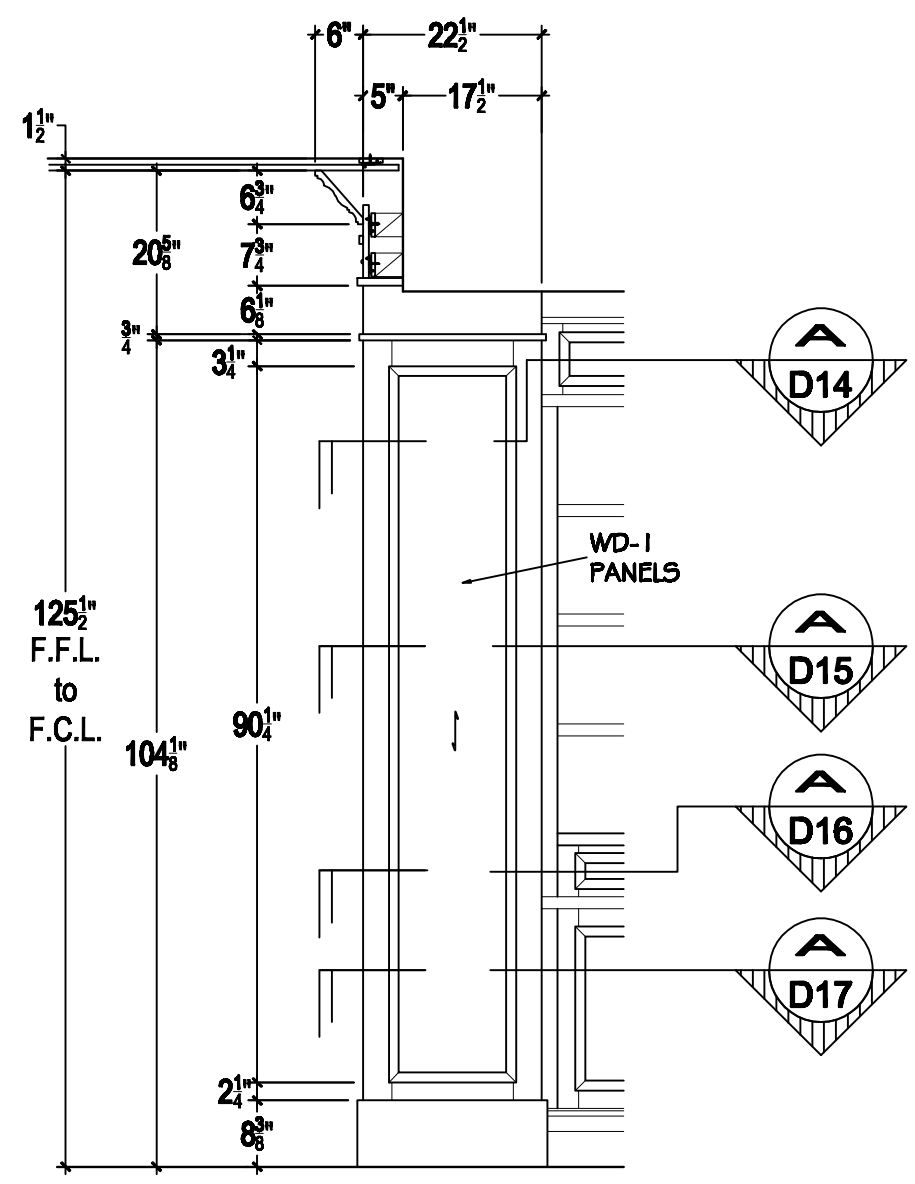


A ELEVATION - LOWER RITZ ROOM
D7 REF: NONE SCALE: 1/2"=12"

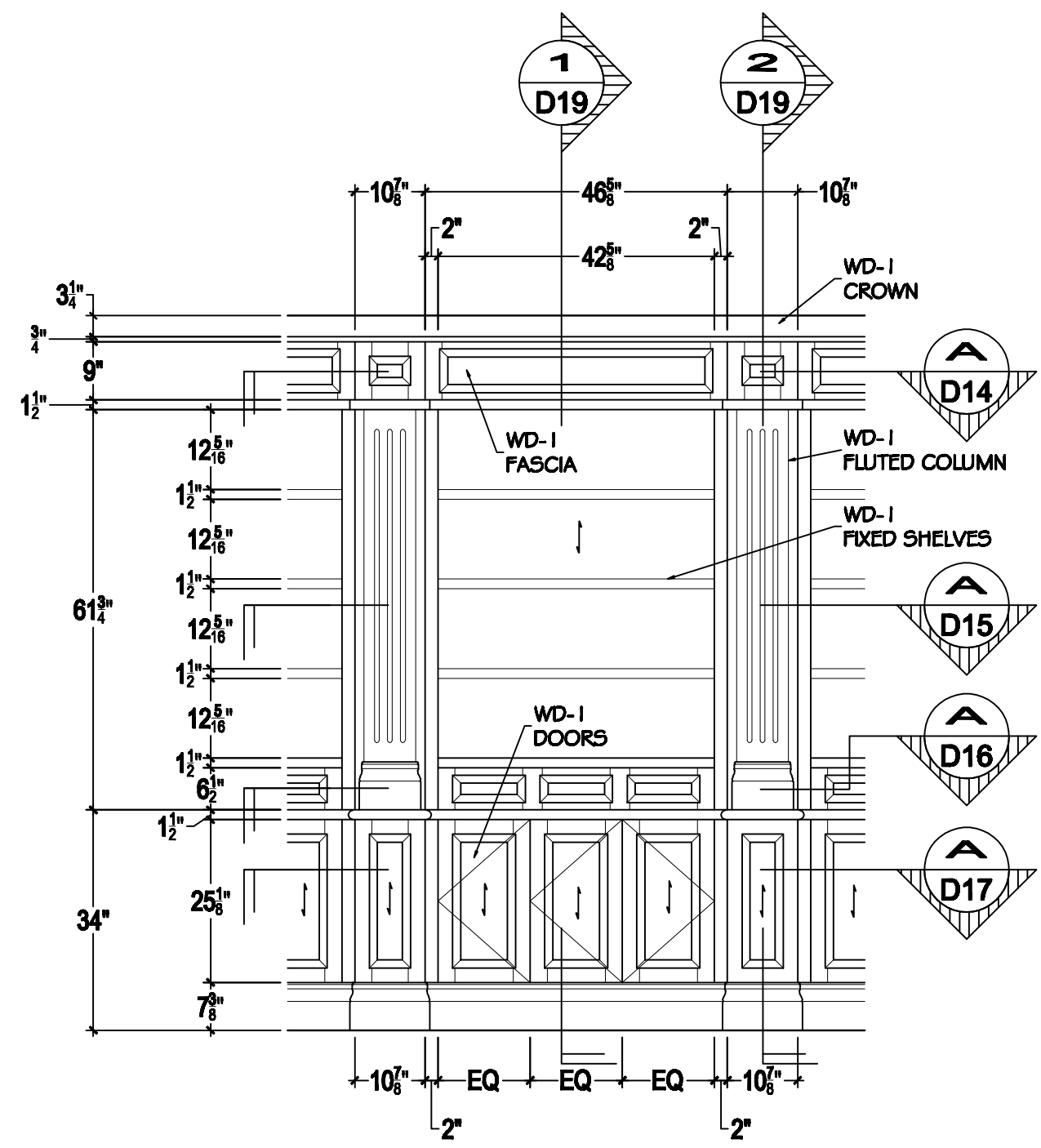
125 1/2" F.F.L. to F.C.L.



A ELEVATION - LOWER RITZ ROOM
D8 REF: NONE SCALE: 1/2"=12"

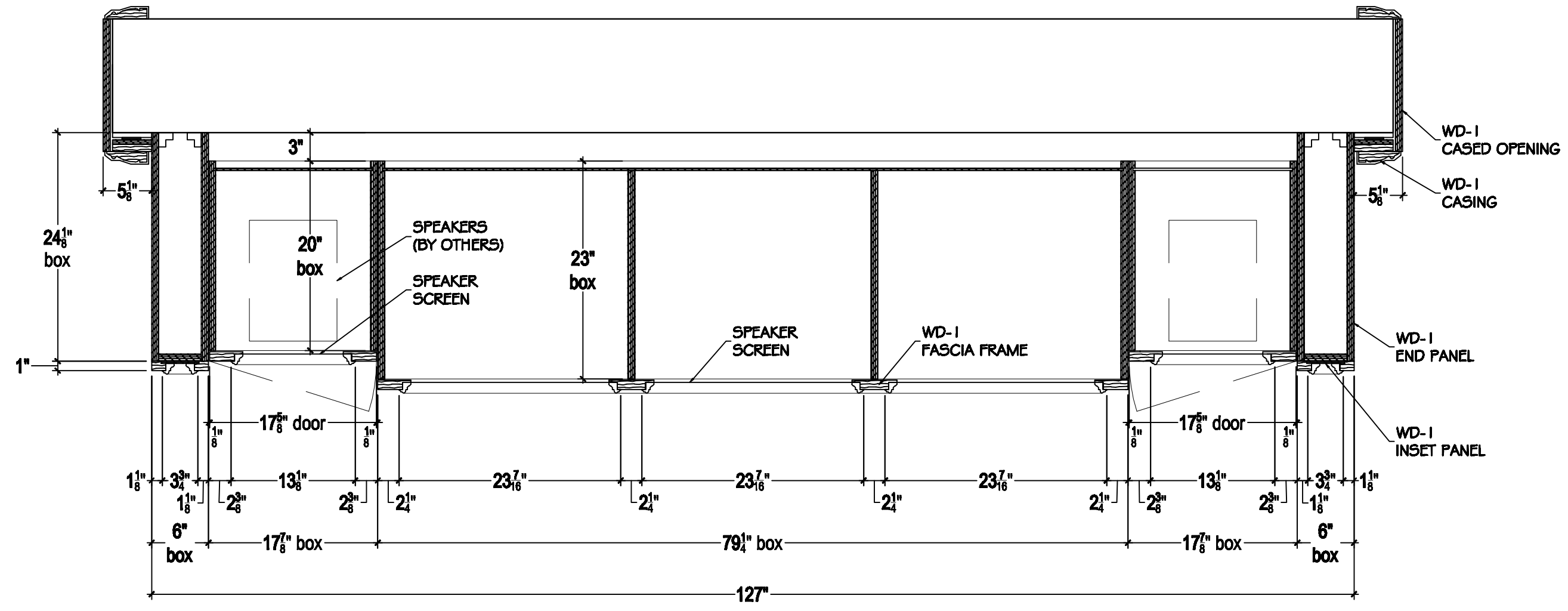


A ELEVATION - LOWER RITZ ROOM
D9 REF: NONE SCALE: 1/2"=12"

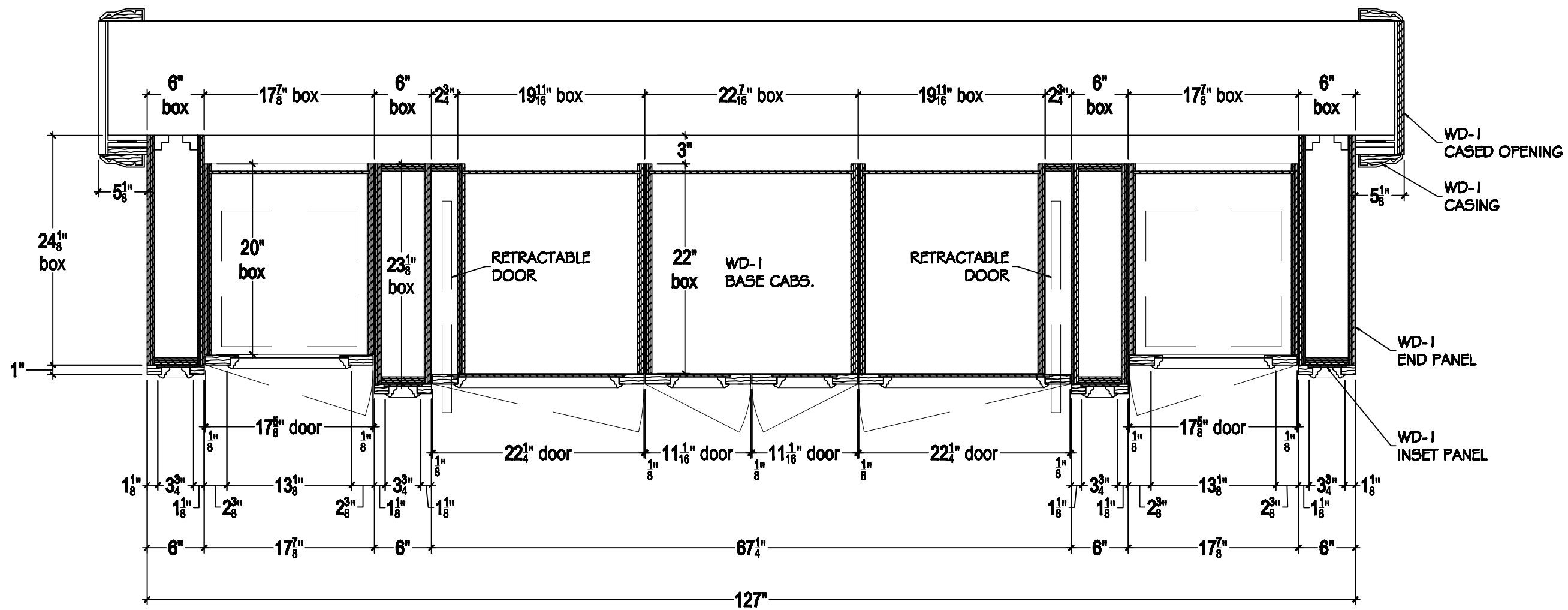


B ELEVATION - LOWER RITZ ROOM
D9 REF: NONE SCALE: 1/2"=12"

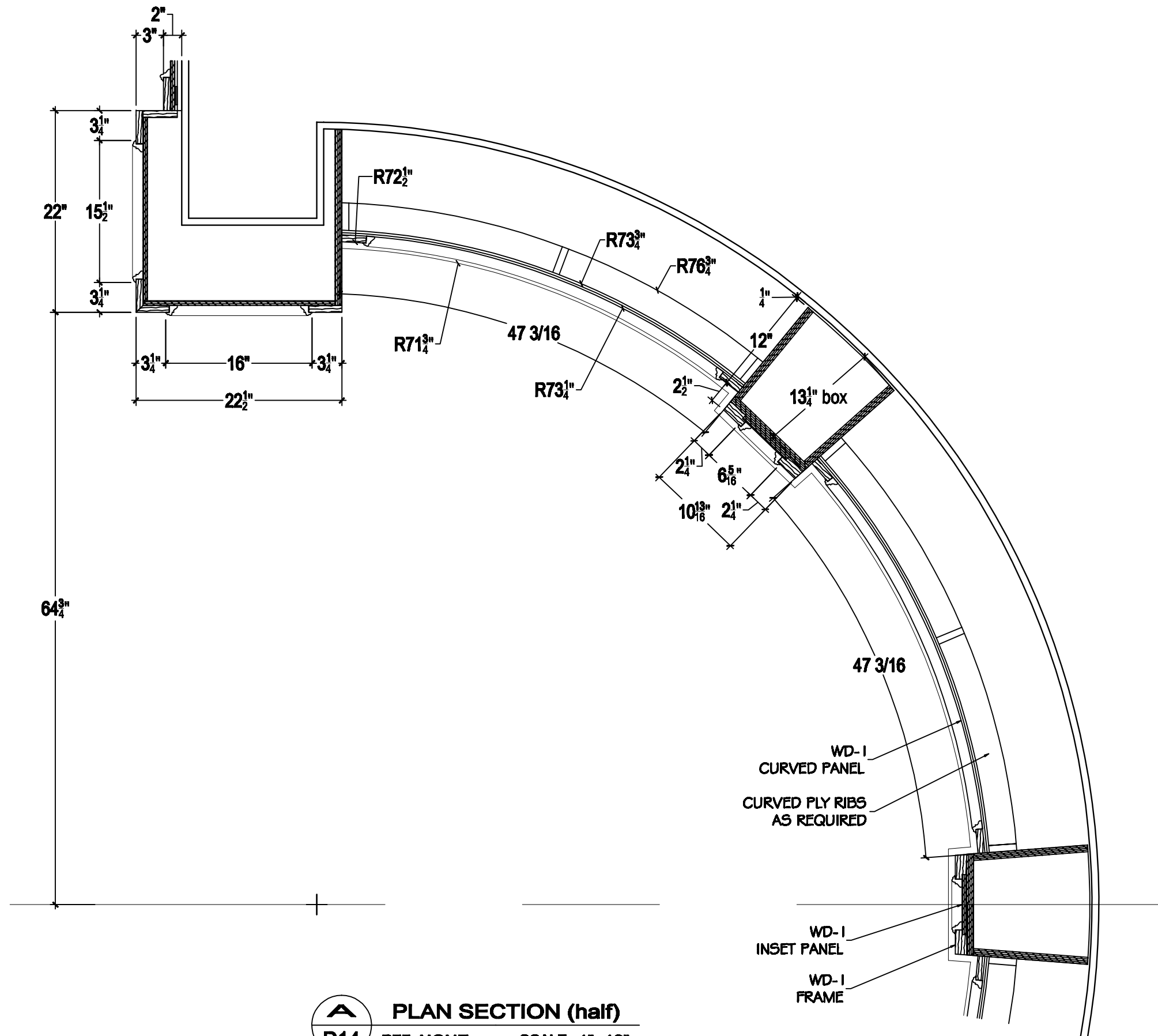




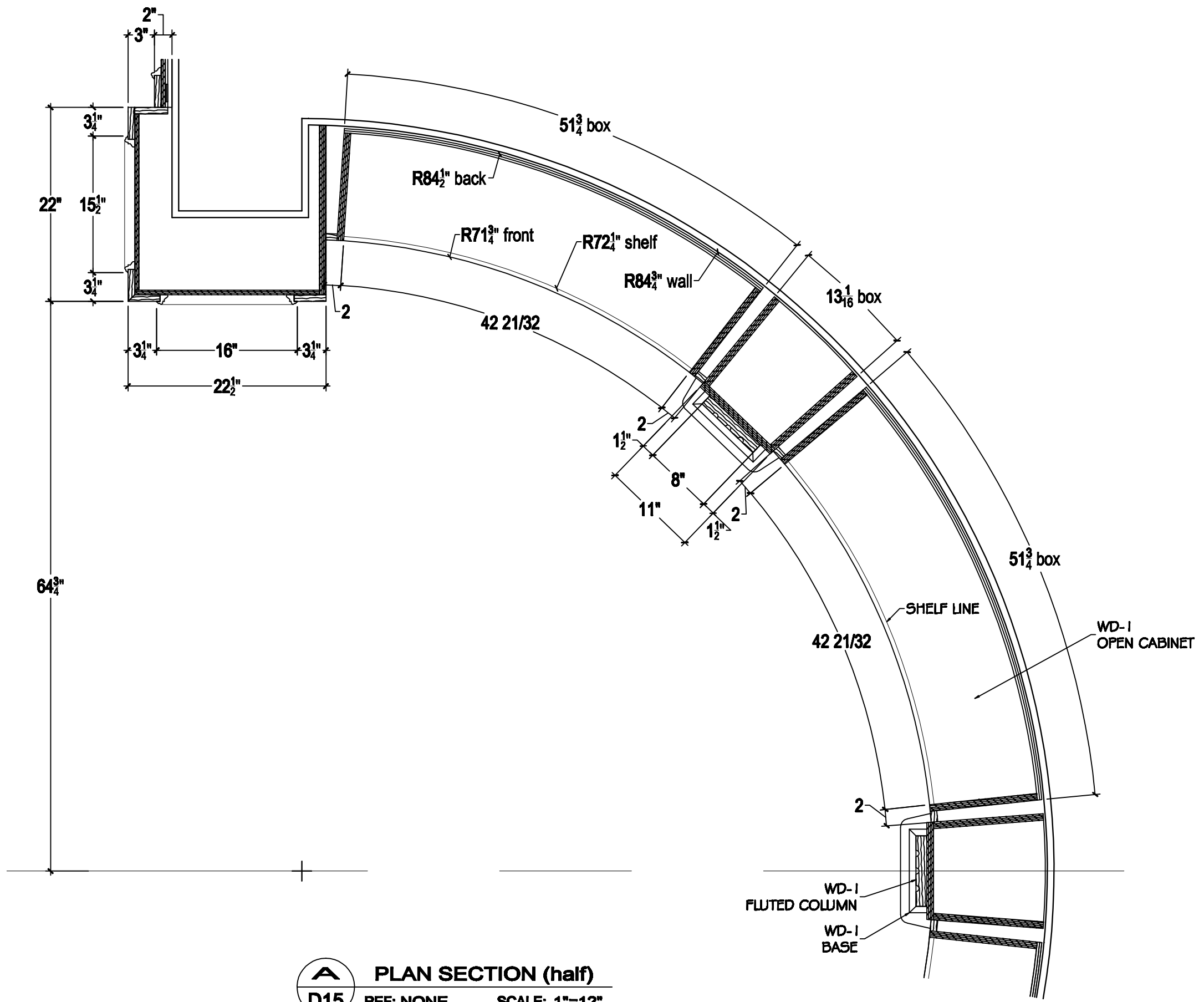
A PLAN SECTION
D11 REF: NONE SCALE: 1"=12"



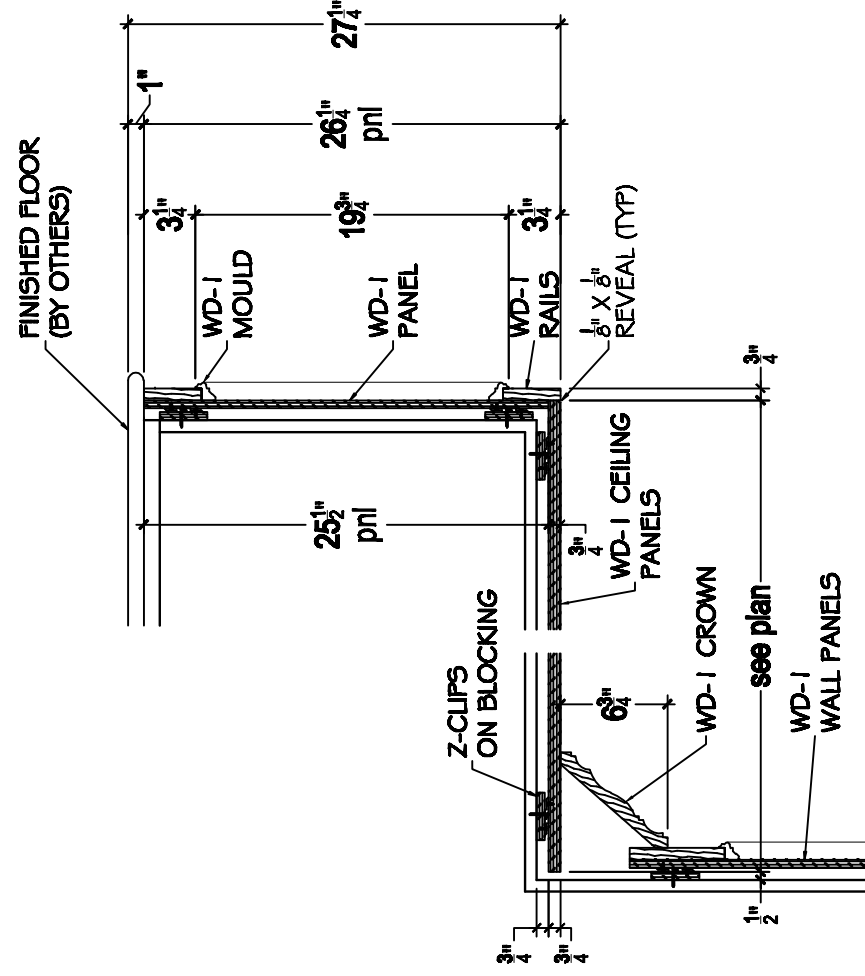
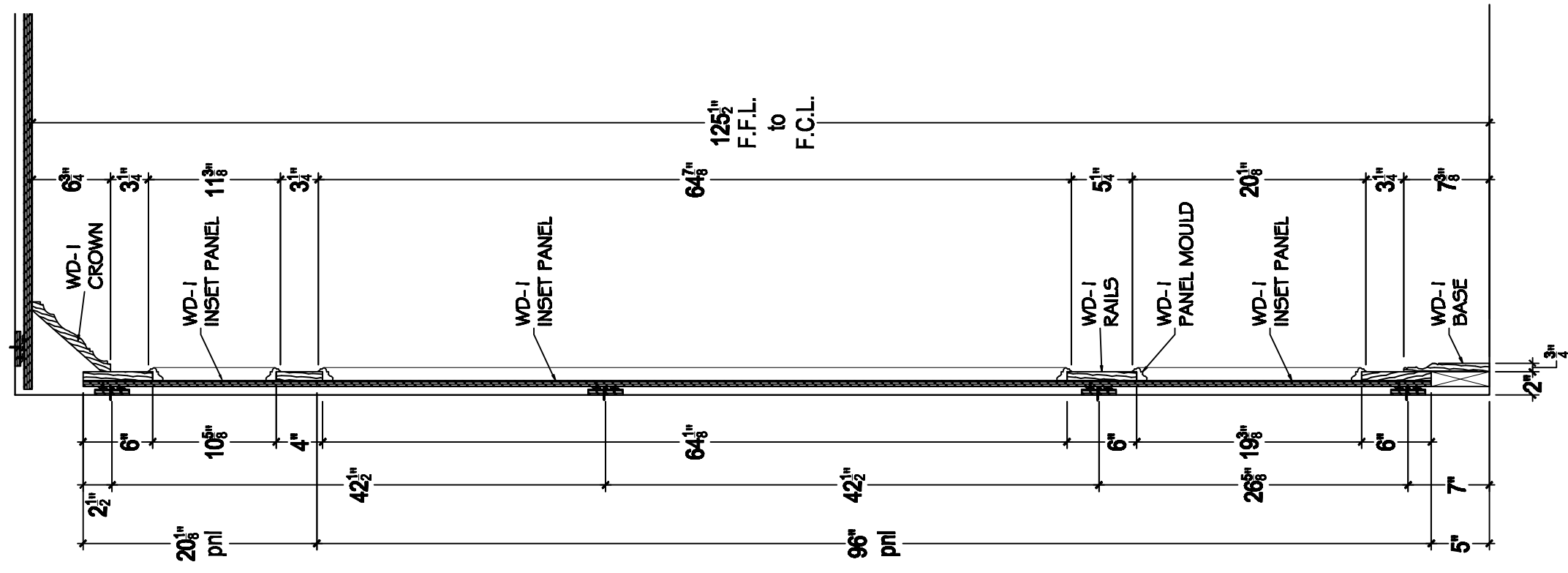
A PLAN SECTION
D13 REF: NONE SCALE: 1"=12"



A PLAN SECTION (half)
D14 REF: NONE SCALE: 1"=12"



A PLAN SECTION (half)
D15 REF: NONE SCALE: 1"=12"

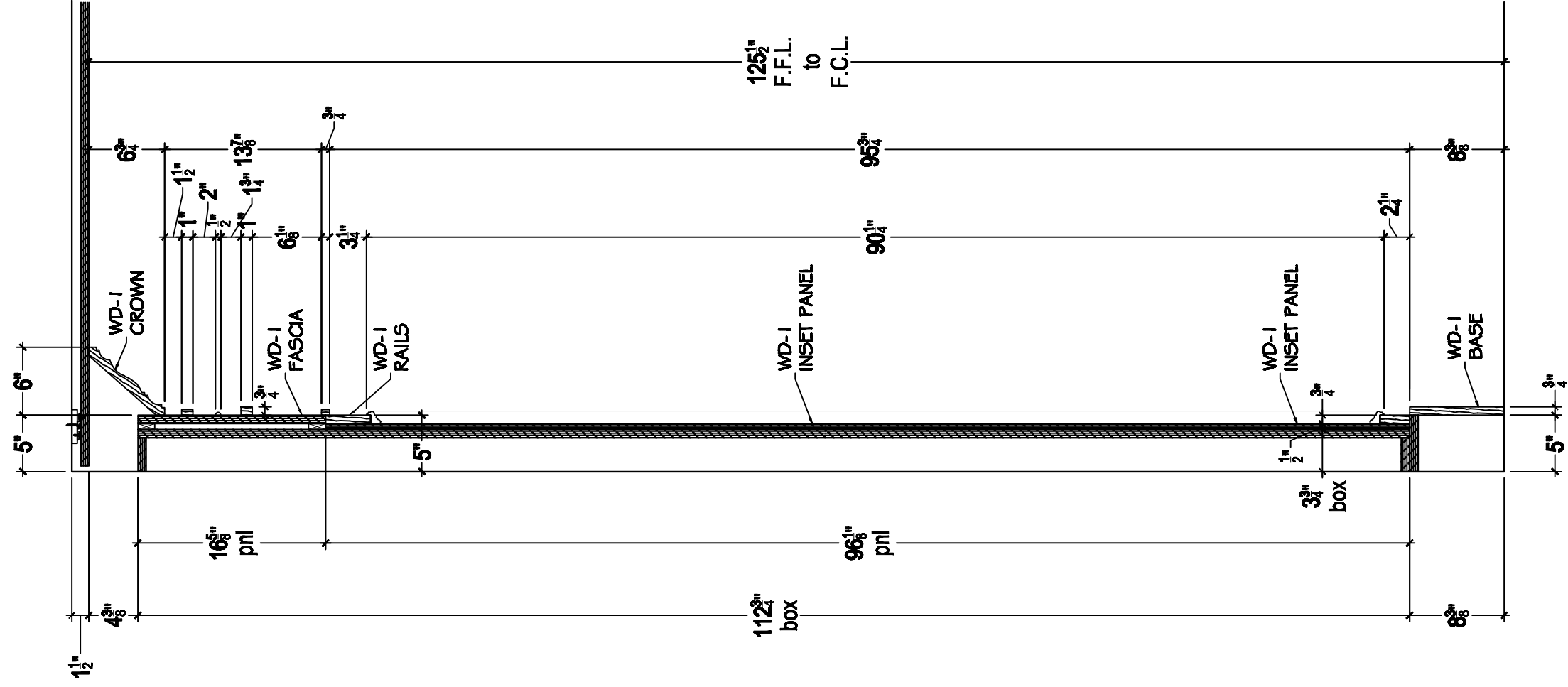


1 SECTION

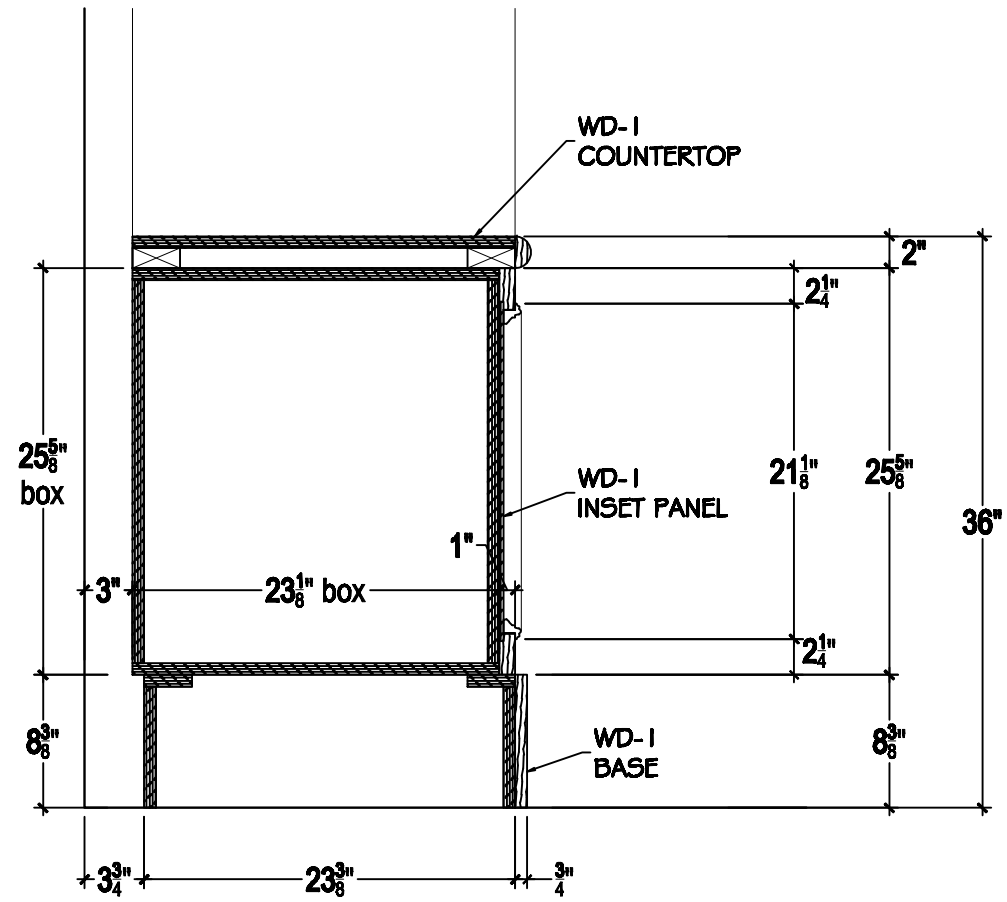
D18 REF: NONE SCALE: 1"=12"

2 SECTION

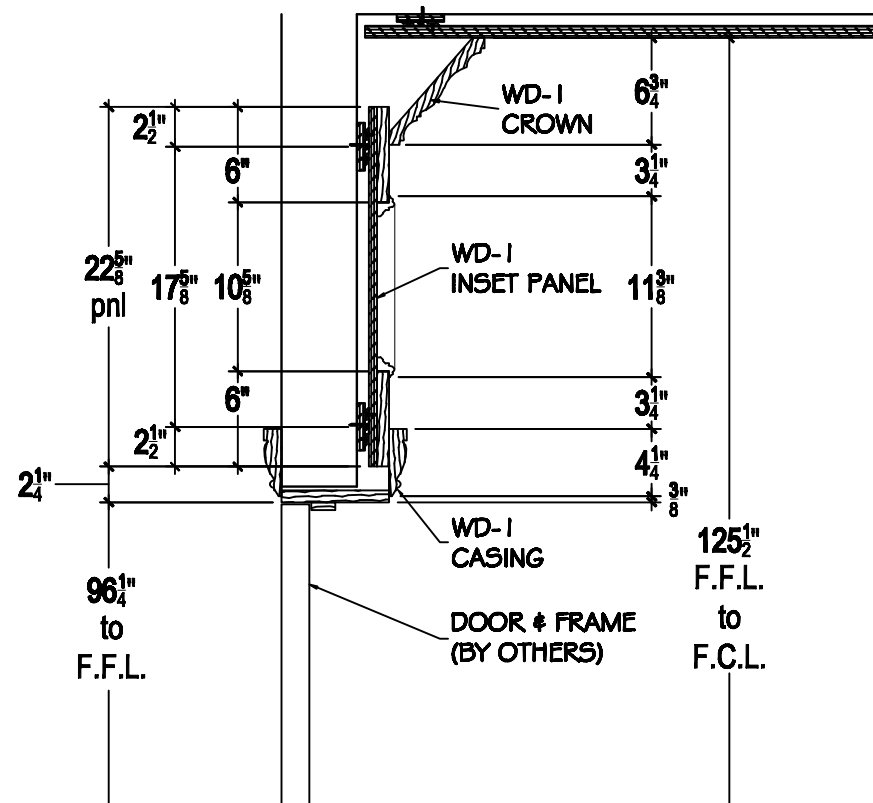
D18 REF: NONE SCALE: 1"=12"



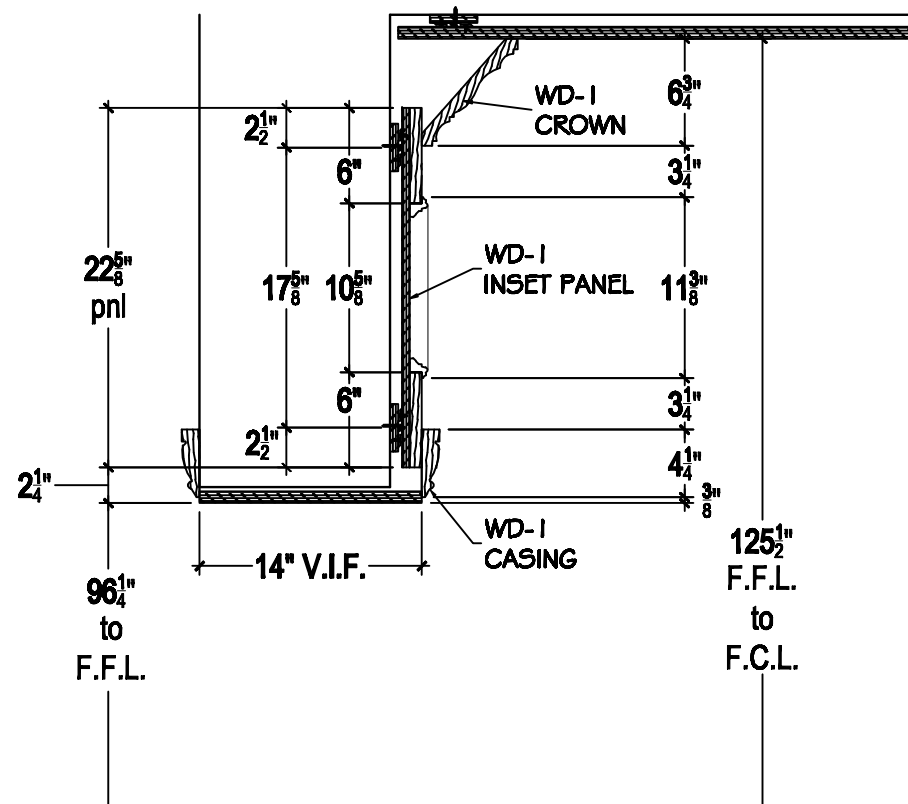
1 SECTION
 D20 REF: NONE SCALE: 1"=12"



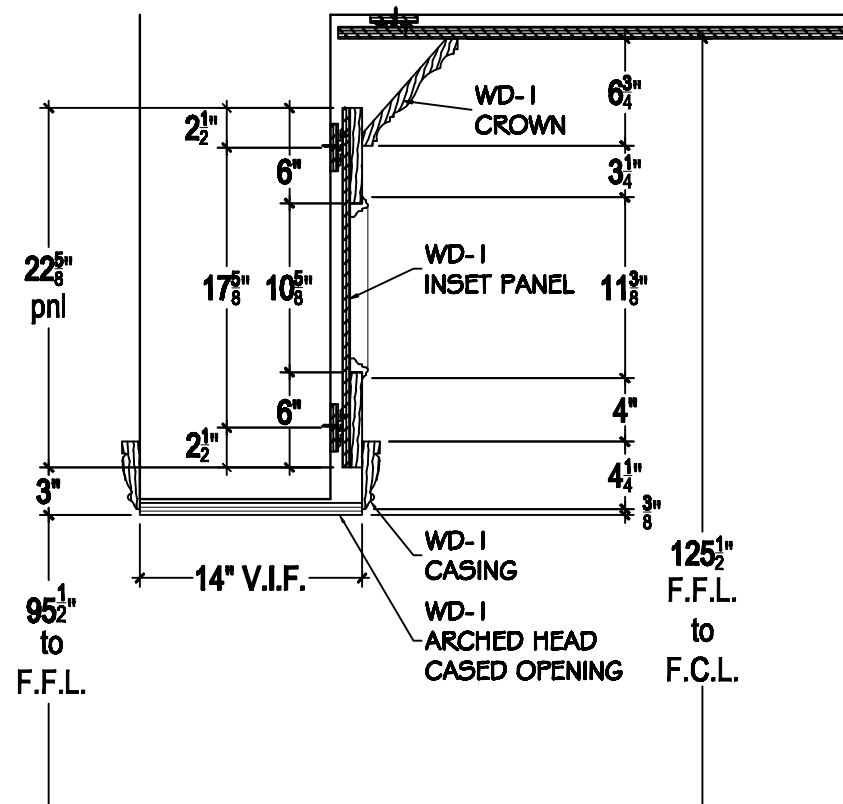
1 SECTION
D24 REF: NONE SCALE: 1"=12"



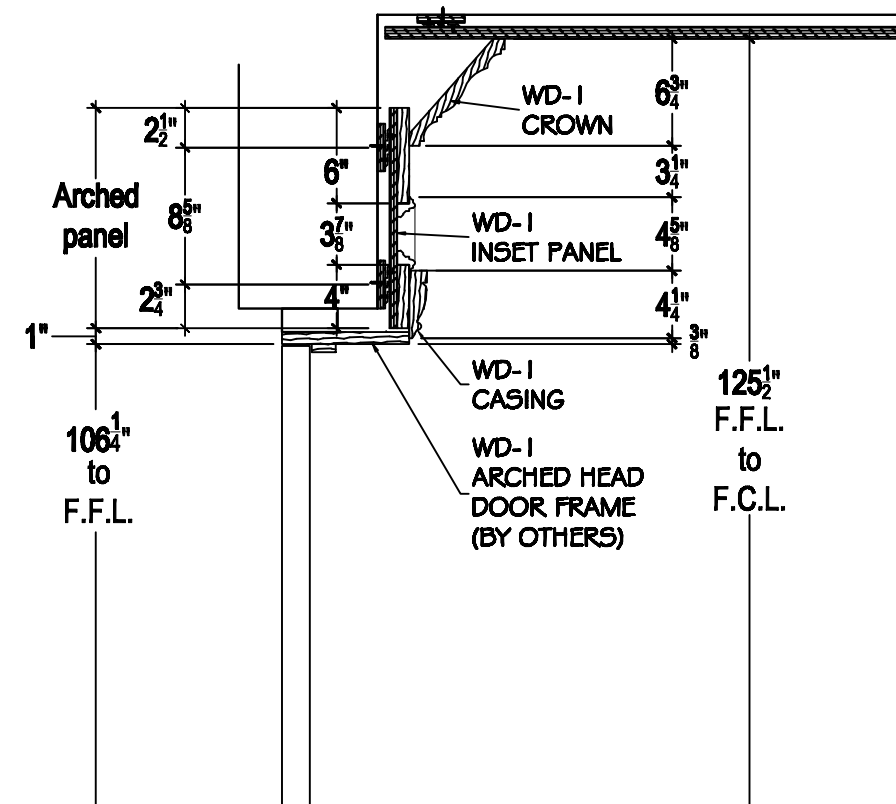
2 SECTION
D24 REF: NONE SCALE: 1"=12"



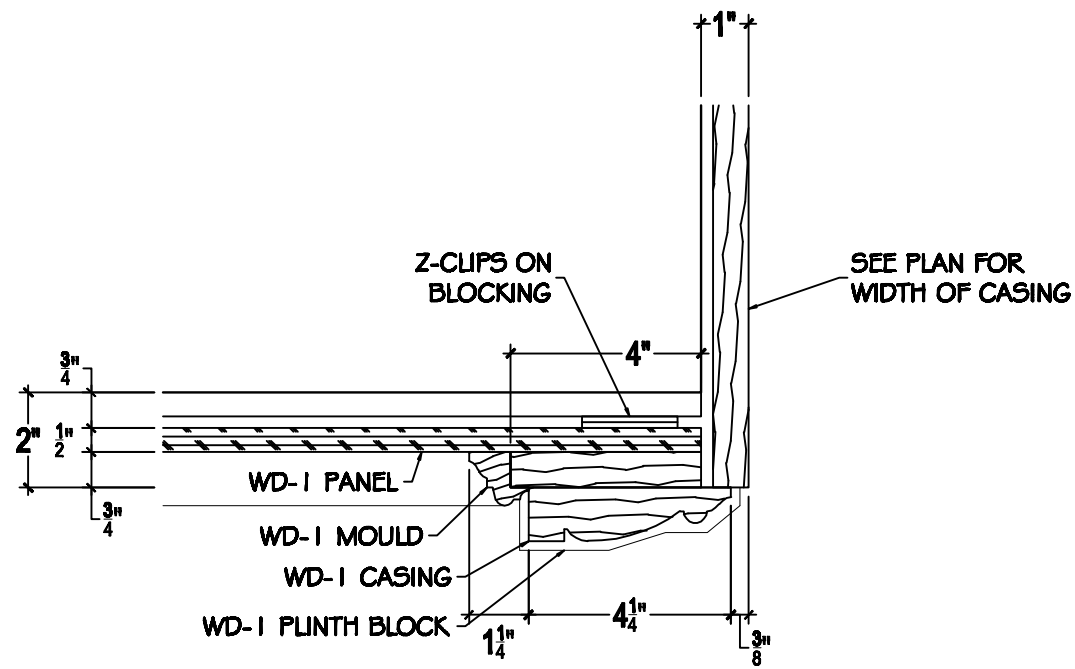
1 SECTION
D25 REF: NONE SCALE: 1"=12"



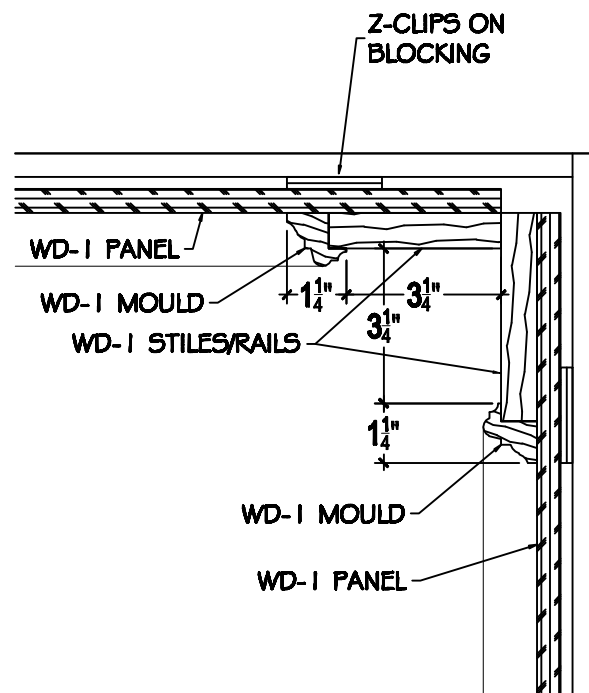
2 SECTION
D25 REF: NONE SCALE: 1"=12"



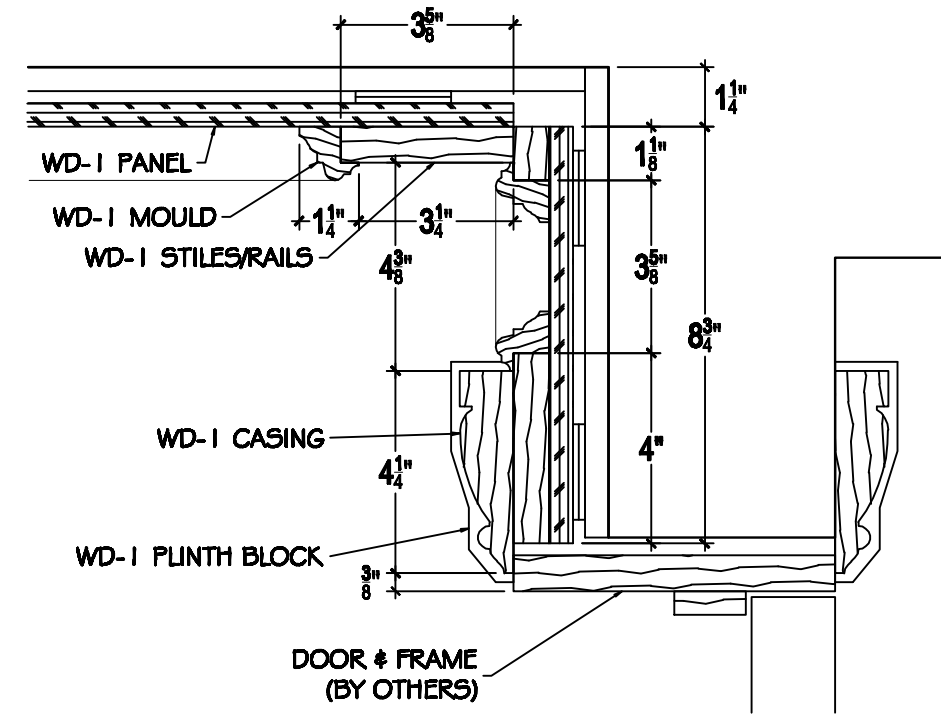
3 SECTION
D25 REF: NONE SCALE: 1"=12"



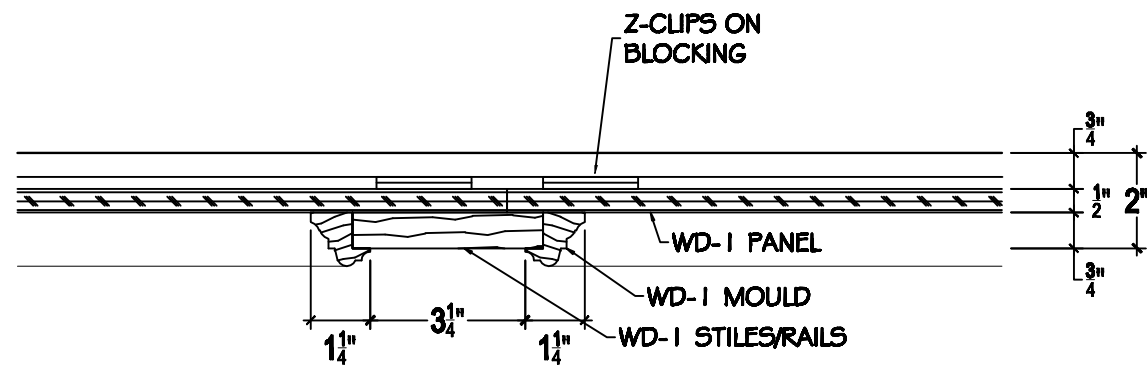
1 **DETAIL - DOOR FRAME/CASED OPENING**
D26 REF: NONE SCALE: 3"=12"



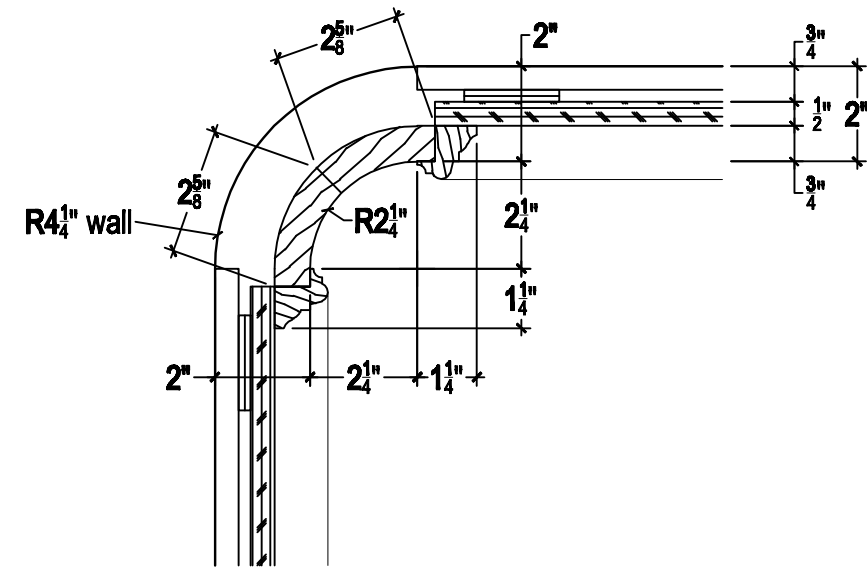
2 **DETAIL - INT. CORNER**
D26 REF: NONE SCALE: 3"=12"



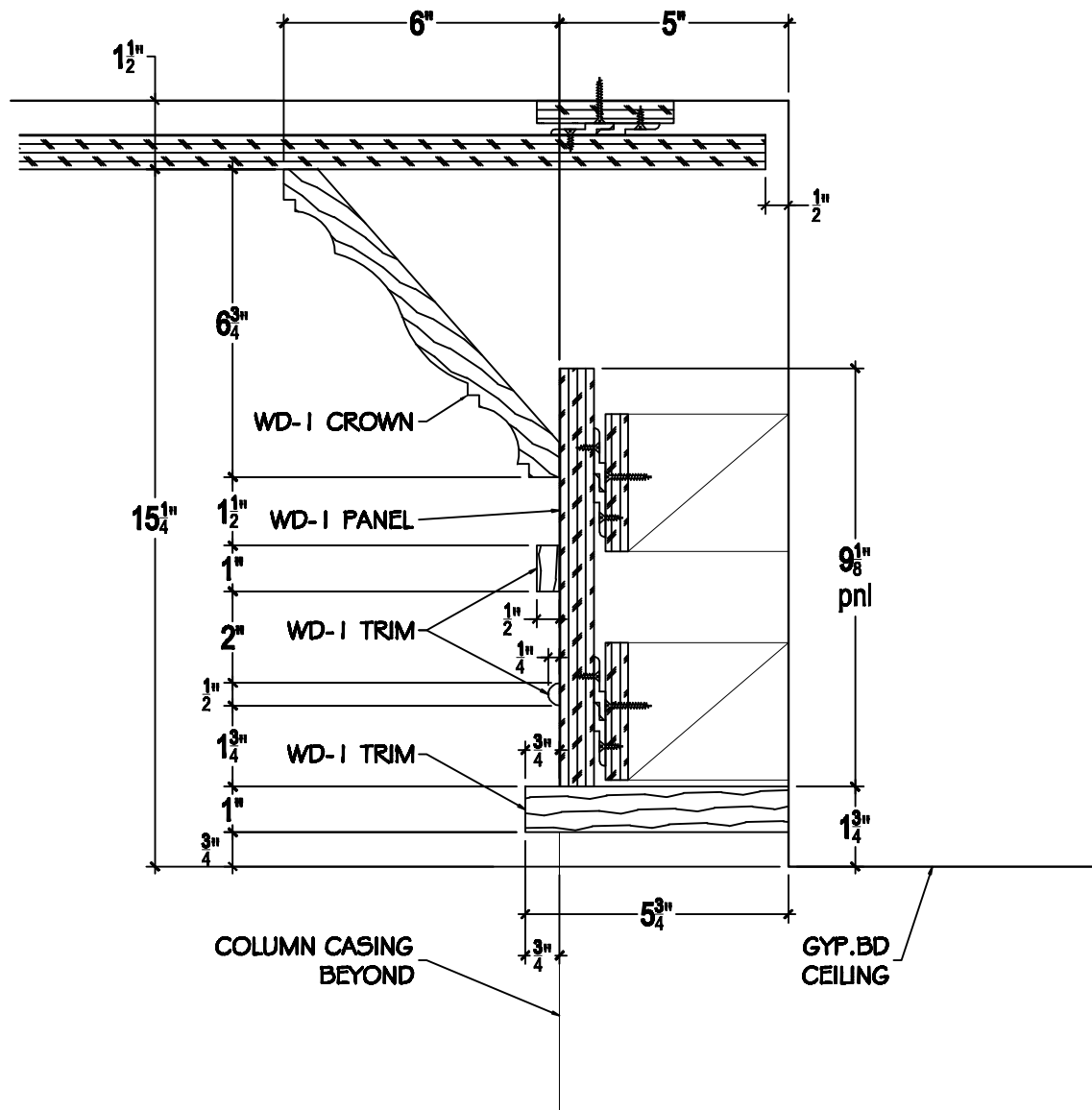
3 **DETAIL - INT. CORNER**
D26 REF: NONE SCALE: 3"=12"



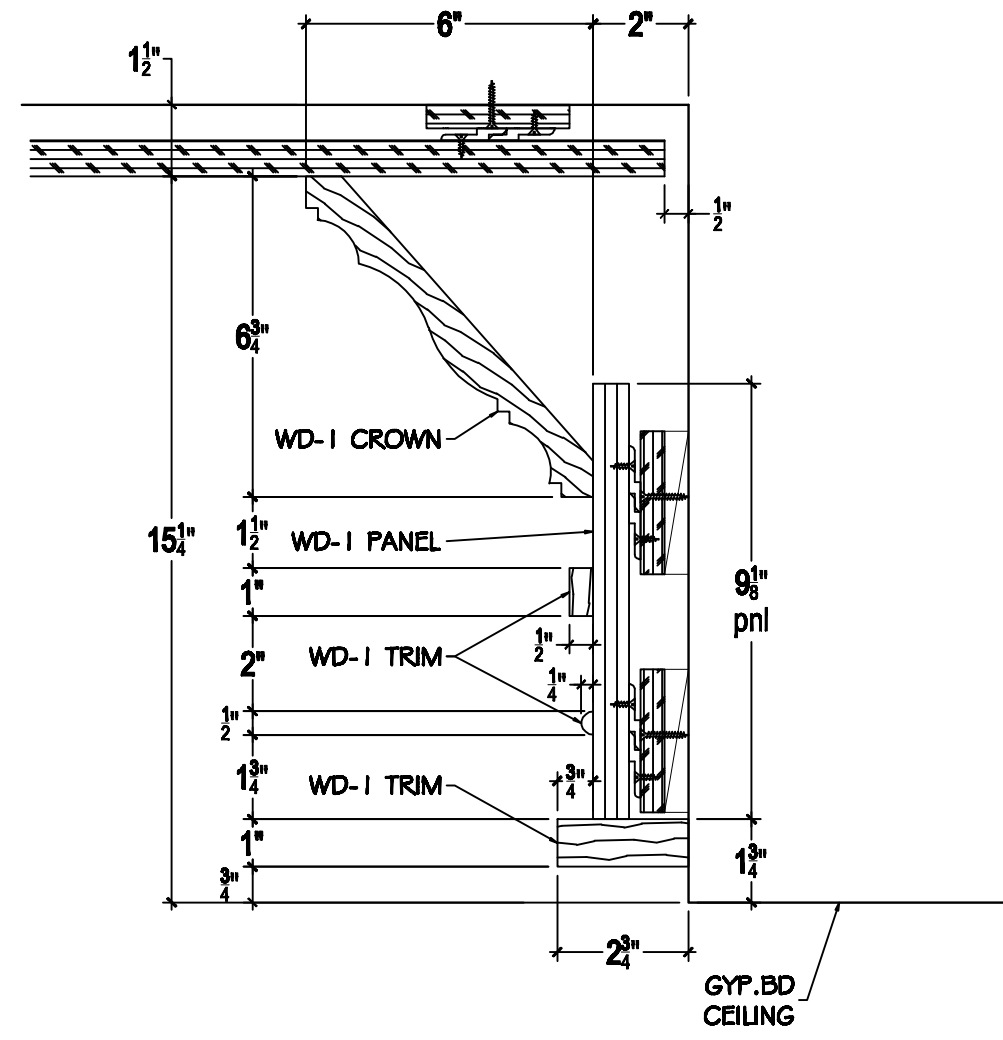
4 **DETAIL - WALL PANELS**
D26 REF: NONE SCALE: 3"=12"



5 **DETAIL - WALL PANELS**
D26 REF: NONE SCALE: 3"=12"



1 DETAIL - CROWN FEATURE
D27 REF: NONE SCALE: 3"=12"



2 DETAIL - CROWN FEATURE (curved)
D27 REF: NONE SCALE: 3"=12"